

**Descripción**

RD-TPW1 interruptor horario digital se utiliza para la realización de funciones de tiempo en los sistemas de control y automatización. Opera de acuerdo con el horario fijado planeado por el usuario. Tiene una batería interna que puede proteger reloj en tiempo real y todos los ajustes cuando el suministro de energía eléctrica está apagada.

**Características**

- Interruptores horarios digitales con programación semanal
- 3 años de reserva de marcha (batería de litio).
- 40 programas
- Cubierta precintable del panel frontal, ajuste fácil por 4 teclas.
- Cambio automático verano/invierno
- Pantalla de LCD
- Modo Vacaciones
- Monocanal
- Control manual mediante combinación de teclas.
- Transferencia automática de los días de semana
- Alimentación 220-240VAC.
- Dos módulos, montaje carril DIN

**Datos técnicos**

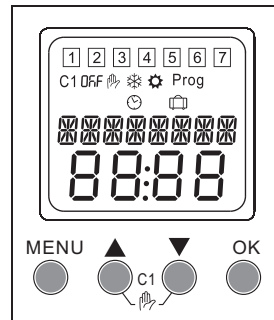
Supply terminals	A1-A2
Rated voltage	AC220-240V
Rated frequency	50/60Hz
Power consumption	1W
Supply voltage tolerance	±10%
Number of channels	Single channel
Number of programs	40
Program	weekly program, daily program
Operating modes	manual, automatic, holiday
Summer/winter time	off, automatic changes
Time tolerance	≤1s/day at 25°C
Power reserve	3 year
Data readout	LCD display
Number of contacts	1 C/O
Current of contacts	16A/250V AC1
Switching capacity	4000VA/AC1, 384W/DC
Mechanical life	10 <sup>6</sup>
Electrical life	10 <sup>5</sup>
Rated insulation voltage	250V
Protection degree	IP20
Pollution degree	3
Altitude	≤2000m
Ambient temperature	-20°C~55°C
Permissible relative humidity	≤50%(40°C,without condensation)
Storage temperature	-30°C~70°C
Wire size	3mm ~ 4mm
Tightening torque	0.5Nm
Mounting	TH-35 Rail(EN60715)
Dimensions	90*36*64mm
Standard	IEC60947-1/IEC60947-2-7

**Maximum pilotable power**

2300W	2300W	1000W	500W	500W

**Instrucciones de funcionamiento**

**Panel**



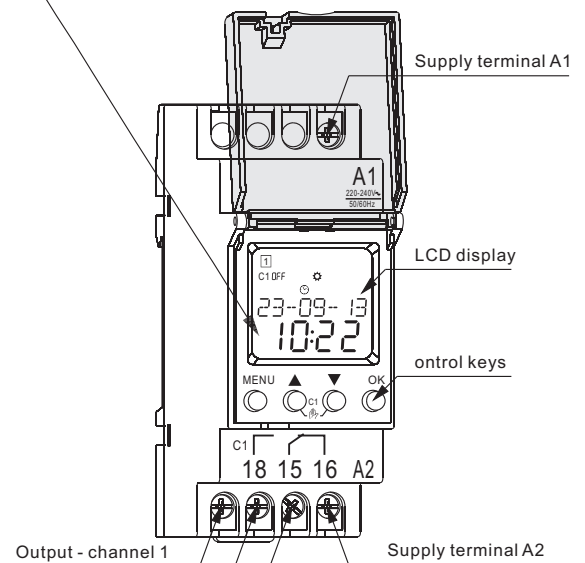
**Symbol legend**

- 1 2 3 4 5 6 7 — Days of the week Monday, Tuesday, ...Sunday
- C1 — Channel 1
- 0n OFF — Relay status
- ☺ — Automatic mode
- ☼ — Manual mode
- 📅 — Holiday mode
- ❄ — Winter time
- ☀ — Summer time
- Prog — Program setting

**Keys**

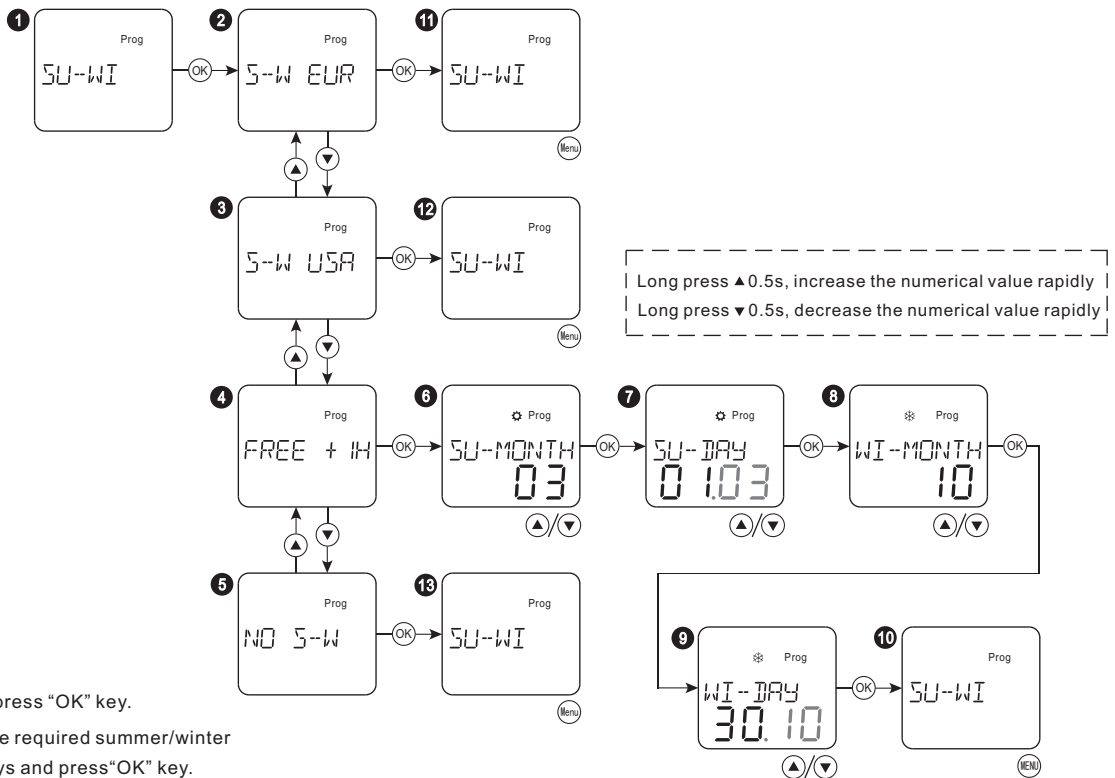
MENU	○ Enter main menu	○ Back to main menu	OK	○ Confirm selection
▲	○ Select menu	○ Digit +	▼	○ Select menu
▲	○ Digit +	▼	○ Digit -	
▲	○ C1 manual operation	▼	○ C1 manual operation	

23-09-13: DD-MM-YY, 23th. September.2013





## ● Switchover Summertime/winter time

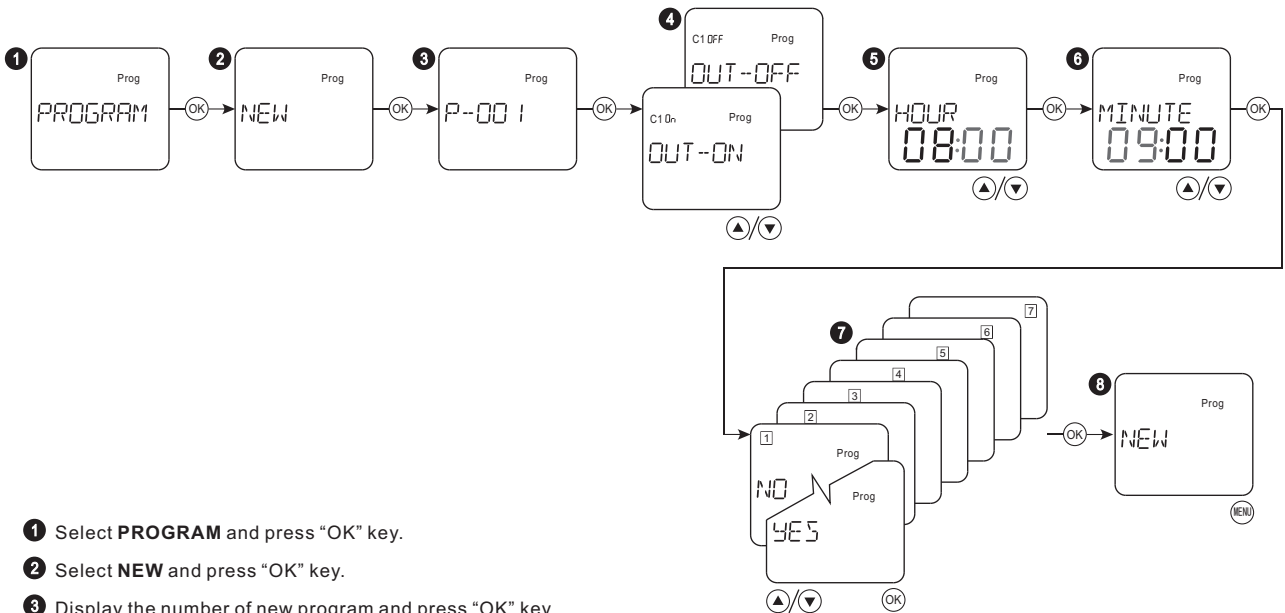


Long press ▲0.5s, increase the numerical value rapidly  
 Long press ▼0.5s, decrease the numerical value rapidly

- 1 Select **SU-WI** and press "OK" key.
- 2 3 4 5 Select the required summer/winter mode with "▲▼" keys and press "OK" key.
- 6 Set the start month of summer time and press "OK" key.
- 7 Set the start day of summer time and press "OK" key.
- 8 Set the start month of winter time and press "OK" key.
- 9 Set the start day of winter time and press "OK" key.
- 10 11 12 13 Return to last menu by pressing "MENU" key.

Display	Function	Summer switching	Winter switching
S-W EUR	Europe sum/win	Last Sunday in March	Last Sunday in October
S-W USA	U.S.A sum/win	Second Sunday in March	First Sunday in November
FREE + IH	Free sum/win	Freely programmed	Freely programmed
NO S-W	No sum/win	None	None

## ● Create a new program



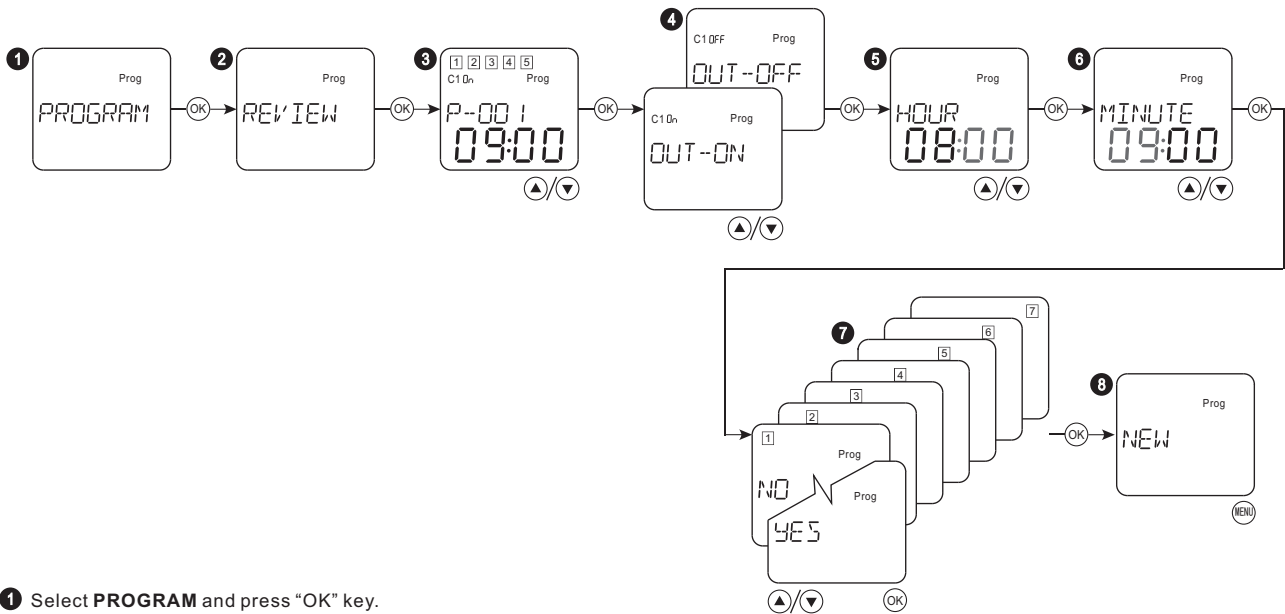
- 1 Select **PROGRAM** and press "OK" key.
- 2 Select **NEW** and press "OK" key.
- 3 Display the number of new program and press "OK" key.

When the programs memory is full, new program will not be created, symbol "FULL" appears on the screen.

- 4 Display the output state of channel 1. Select **OUT-ON** or **OUT-OFF** with "▲▼" keys and then press "OK" key.
- 5 Set the hour with "▲▼" keys and press "OK" key.
- 6 Set the minute with "▲▼" keys and press "OK" key.
- 7 Set the program activity on a week day( from Monday to Sunday) with "▲▼" key  
 If YES is selected, program operation is enabled for flashing day. If NO is selected, program is not used for flashing day.
- 8 Return to last menu by pressing "MENU" key.

Long press ▲0.5s, increase the numerical value rapidly  
 Long press ▼0.5s, decrease the numerical value rapidly

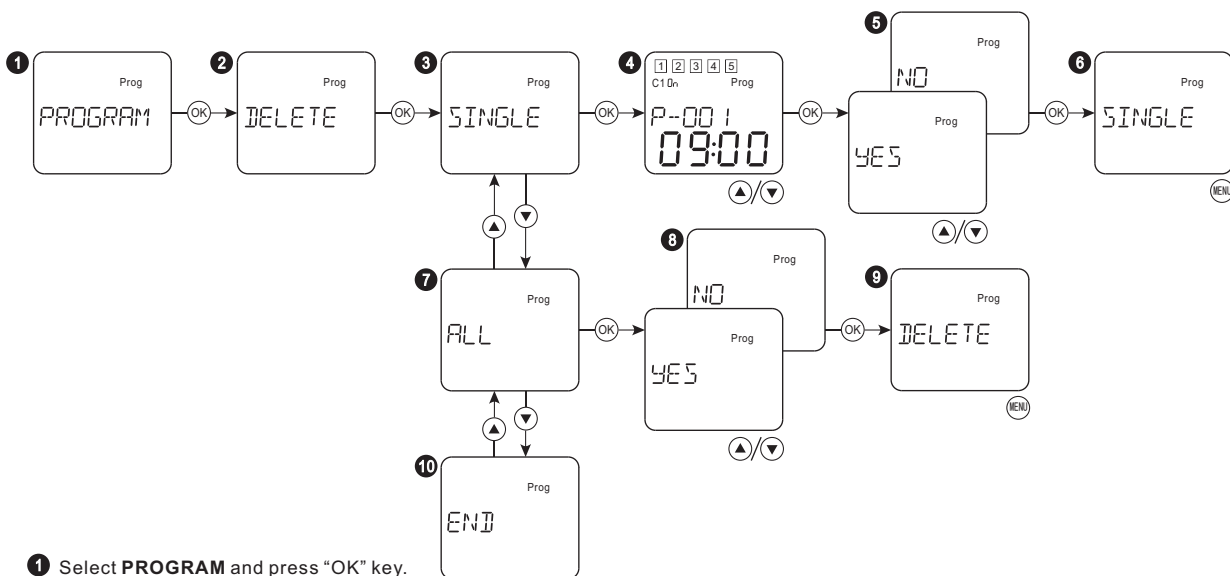
## ● Modify a program



- 1 Select **PROGRAM** and press "OK" key.
- 2 Select **REVIEW** and press "OK" key.
- 3 Select the desired program with "▲▼" keys and press "OK" key.
- 4 Display the output state of channel 1. Select **OUT-ON** or **OUT-ON** with "▲▼" keys and then press "OK" key.
- 5 Set the hour with "▲▼" keys and press "OK" key.
- 6 Set the minute with "▲▼" keys and press "OK" key.
- 7 Set the program activity on a week day( from Monday to Sunday) with "▲▼" keys.  
If **YES** is selected, program operation is enabled for flashing day. If **NO** is selected, program is not used for flashing day.
- 8 Return to last menu by pressing "MENU" key.

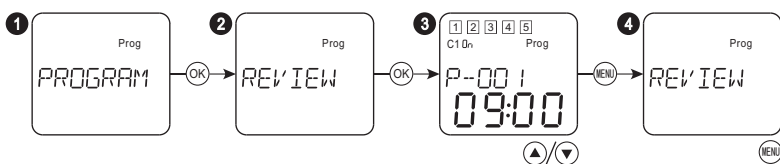
Long press ▲0.5s, increase the numerical value rapidly  
Long press ▼0.5s, decrease the numerical value rapidly

## ● Delete a program



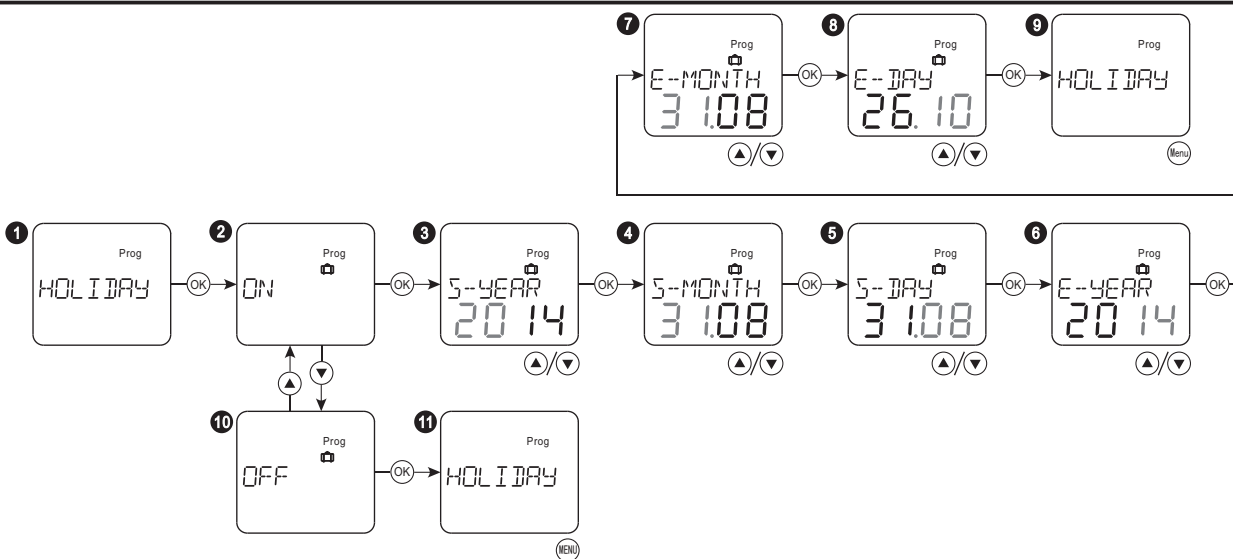
- 1 Select **PROGRAM** and press "OK" key.
- 2 Select **DELETE** and press "OK" key.
- 3 Select **SINGLE** to delete single program and press "OK" key.
- 4 Select the desired program with "▲▼" keys and press "OK" key.
- 5 Select **YES** or **NO** with "▲▼" keys and press "OK" key.
- 6 Return to **SINGLE** sub-menu, Exit from the setting by pressing "Menu".
- 7 Select **ALL** to delete all programs and press "OK" key.
- 8 Select "YES" or "NO" with "▲▼" keys and press "OK" key.
- 9 Return to **DELETE** sub-menu, Exit from the setting by pressing "MENU".
- 10 End program setting.

## ● Check a program



- 1 Select **PROGRAM** and press "OK" key.
- 2 Select **REVIEW** and press "OK" key.
- 3 View the operation of the set programs with "▲▼" keys and press "OK" key.
- 4 Exit from the setting by pressing "MENU" key.

## ● Holiday program

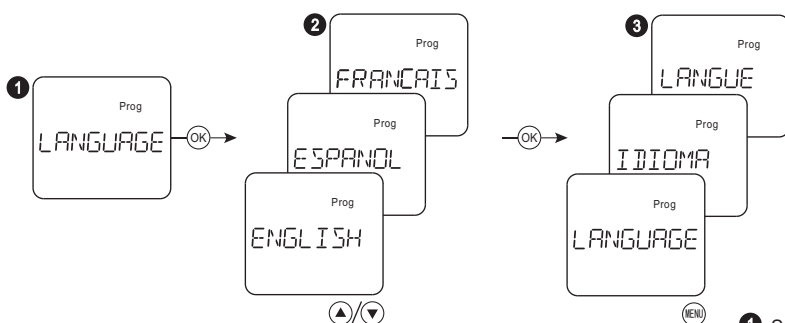


- 1 Select **HOLIDAY** and press "OK" key.
- 2 Select **ON** to activate holiday mode and press "OK" key.
- 3 Set the start year of holiday with "▲▼" keys and press "OK" key.
- 4 Set the start month of holiday with "▲▼" keys and press "OK" key.
- 5 Set the start day of holiday with "▲▼" keys and press "OK" key.
- 6 Set the end year of holiday with "▲▼" keys and press "OK" key.
- 7 Set the end month of holiday with "▲▼" keys and press "OK" key.
- 8 Set the end day of holiday with "▲▼" keys and press "OK" key.
- 9 Return to **HOLIDAY** menu. Exit from the setting by pressing "MENU" key.
- 10 Select **OFF** to deactivate holiday mode and press "OK" key.
- 11 Return to **HOLIDAY** menu. Exit from the setting by pressing "MENU" key.

Long press ▲ 0.5s, increase the numerical value rapidly |  
 Long press ▼ 0.5s, decrease the numerical value rapidly |

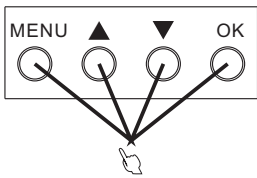
## □ Language setting

### ● Select menu language



- 1 Select **LANGUAGE** and press "OK" key.
- 2 Select the desired language with "▲▼" and press "OK" key
- 3 Exit from the setting by pressing "MENU" key.

## Reset



Press the four keys simultaneously for 3 seconds to reset automatically. The device was restored to factory settings.

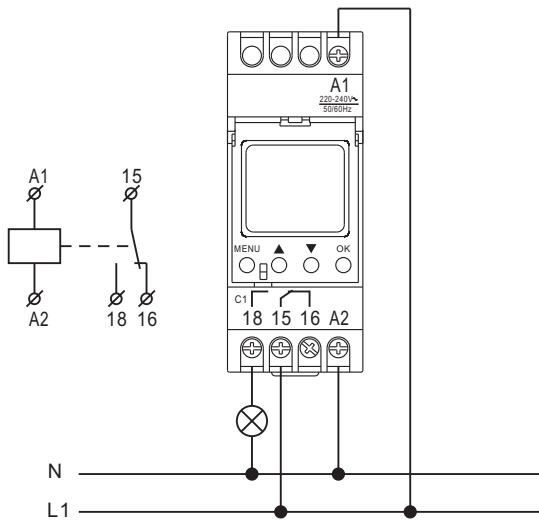
## Keys combination for MANUAL control



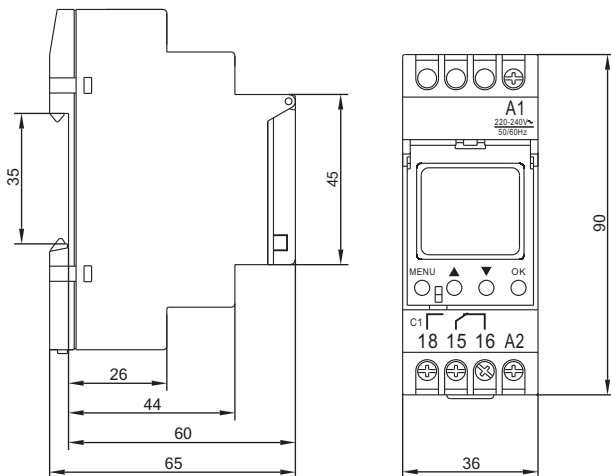
Press “▲▼” keys simultaneously, the output state of channel 1 switches to MANUAL.

When the output states of other operation modes was changed, Manual mode exits automatically.

## Wiring diagram



## Dimensions



## Safety instruction

### WARNING

- Please disconnect the power supply before installation.
- Connect the supply voltage as stated on the product.

- 1.The device should be installed, operated and maintained by qualified personnel.
- 2.Don't dismantle or repair the device whether it operates normally, otherwise no responsibility is assumed by manufacturer or seller.
- 3.Please refer to wiring diagram when connecting.
- 4.Never use the product at the site which can be invaded by corrode gas, strong sunshine light or rain.